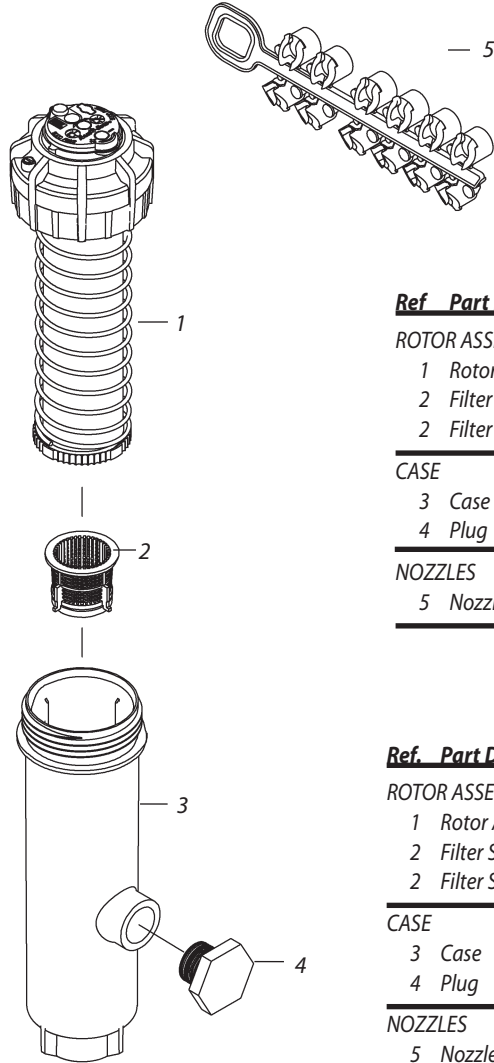


5000 PLUS / 5004 PLUS / 5006 PLUS / 5012 PLUS / UPG-PL-PC-S
 INCLUDES PRS MODELS



Ref	Part Description	Qty	UPG-PL-PC-S
ROTOR ASSEMBLY			
1	Rotor Assembly - Standard	1	(174997)
2	Filter Screen - Standard	1	170362
2	Filter Screen - SAM	1	170452
CASE			
3	Case	1	-
4	Plug	1	-
NOZZLES			
5	Nozzle Tree (various sizes)	1	Y04500

Ref.	Part Description	Qty	5000PI-S-PC	5000PI-S-FC	5004PI-PC	5004PI-FC
ROTOR ASSEMBLY						
1	Rotor Assembly - Standard	1	(173181)	(173408)	(173021)	(173032)
2	Filter Screen - Standard	1	170362	170362	170362	170362
2	Filter Screen - SAM	1	170452	170452	170452	170452
CASE						
3	Case	1	(172369)	(172369)	(171033)	(171033)
4	Plug	1	-	-	-	-
NOZZLES						
5	Nozzle Tree (various sizes)	1	Y04500	Y04500	Y04500	Y04500

Ref.	Part Description	Qty	5006PI-PC	5006PI-FC	5012PI-PC	5012PI-FC
ROTOR ASSEMBLY						
1	Rotor Assembly - Standard	1	(173079)	(173080)	(173140)	(173146)
2	Filter Screen - Standard	1	170362	170362	170362	170362
2	Filter Screen - SAM	1	170452	170452	170452	170452
CASE						
3	Case	1	(114197)	(114197)	(114198)	(114198)
4	Plug	1	102496	102496	102496	102496
NOZZLES						
5	Nozzle Tree (various sizes)	1	Y04500	Y04500	Y04500	Y04500

Note: Part numbers enclosed in brackets () are not available individually, but may be sold in assemblies or kits.